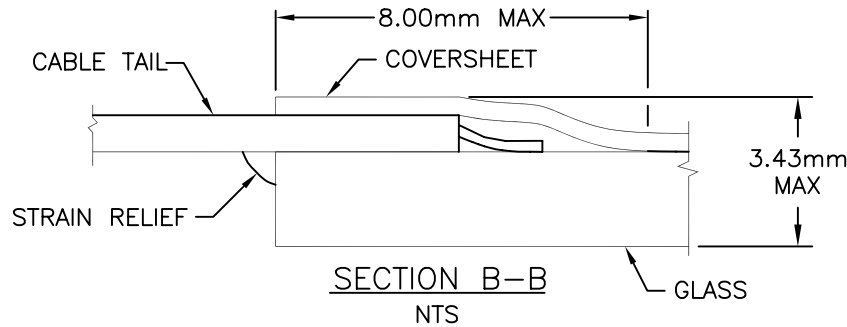
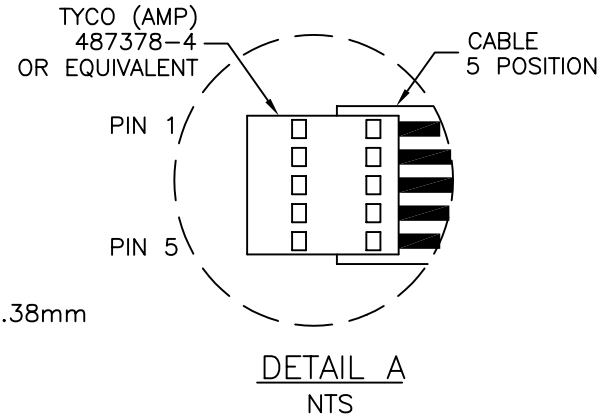
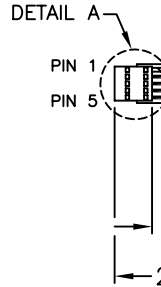
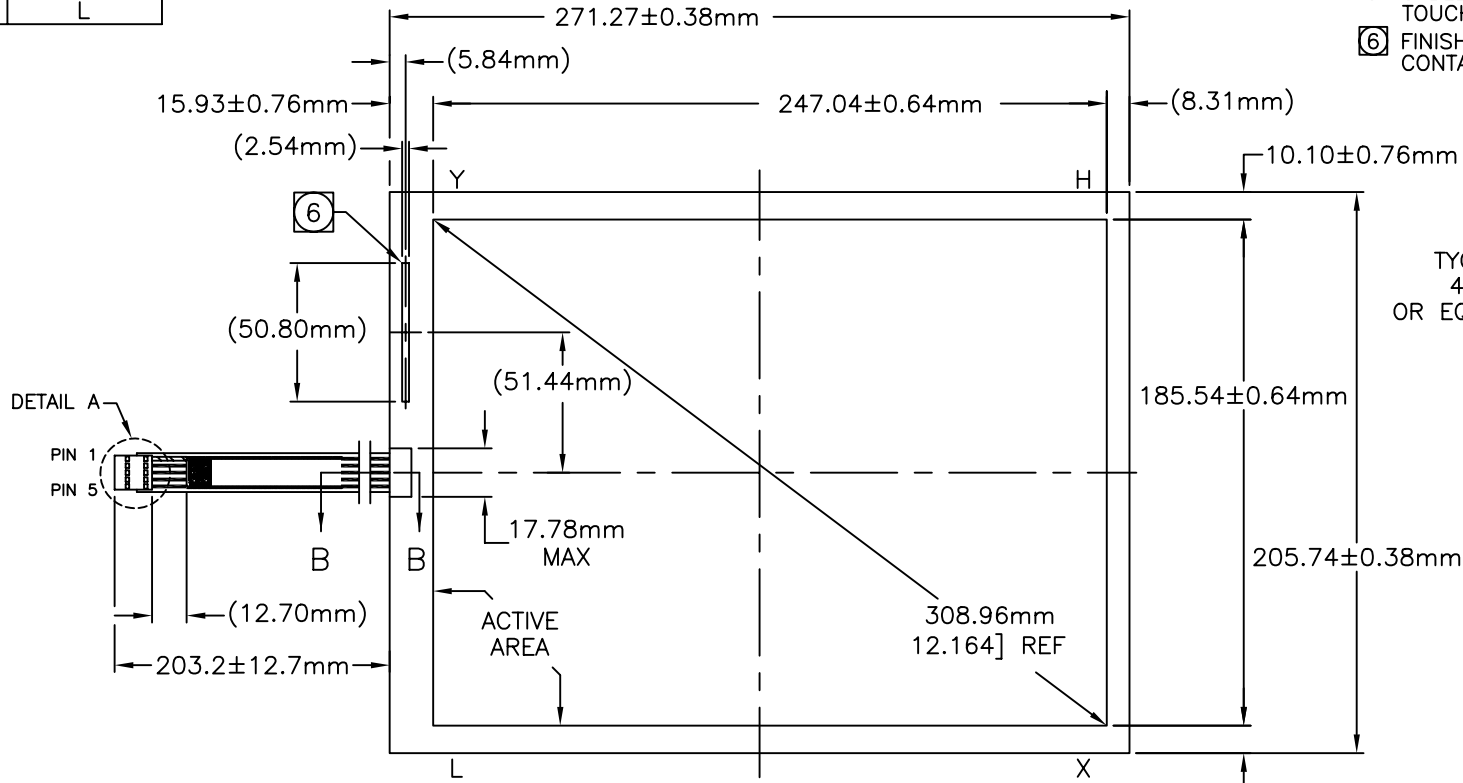


CONNECTOR PINOUT	
PIN NO.	DESIGNATION
1	H
2	X
3	S
4	Y
5	L

ACCUTOUCH® TOUCHSCREEN  
 SCN-A5-FLT12.1-Z04-OH1-R  
 ELO P/N: E941047

NOTES:

- GLASS THICKNESS 2.36mm NOMINAL.
- FINISHED PART THICKNESS 2.67mm NOMINAL.
- FINISHED PART THICKNESS AT CABLE ATTACHMENT AREA 3.43mm MAX.
- LABEL TO BE ATTACHED TO FRONT SIDE OF CABLE.
- CABLE IS ATTACHED TO THE LEFT SIDE OF TOUCHSCREEN AT CENTER POINT AS SHOWN.
- FINISHED PART THICKNESS AT THE COVERSHEET CONTACT 3.05mm MAX.



UNLESS OTHERWISE SPECIFIED:  
 DIMENSIONS ARE IN mm